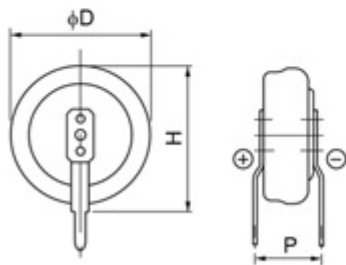


## GOLD CAP capacitors

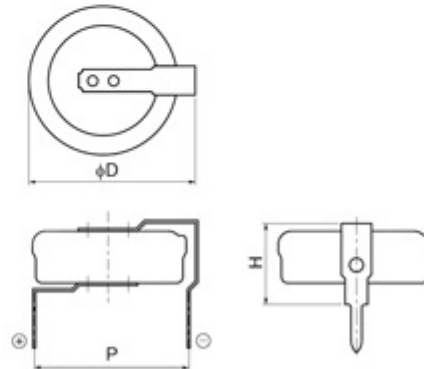


### GOLD CAP capacitors:

Symbol	C [F]	ESR @1KHz [ $\Omega$ ]	Leakage current [ $\mu$ A]	Dimensions [mm]			
				typ	D	H	P
KG 3F/5.5h	3.0	< 30	30 max	h	20.2	5.0	20.0
KG 3F/5.5v	3.0	< 30	30 max	v	20.2	21.0	4.0



typ v



typ h