

SW-RMR201A2C3B

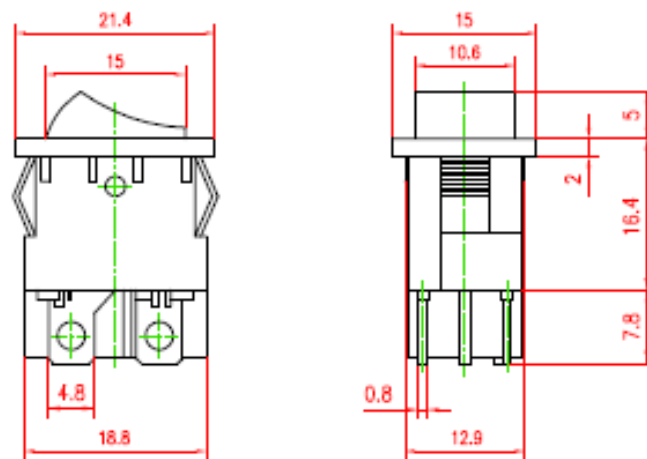
Miniature Illuminated Rocker Switch

(TYPE) MRS-201A-2

Specification

- 1.(Rating): 10A 125V AC; 6A 250V AC
- 2.(Contact R): 35 OHM ρ_{max}
- 3.(Insulation R): 500V DC 100 OHM ρ_{min}
- 4.(Dielectric Strength): 1 Minute 1500V AC
- 5.(Operating Temperature): $-30^{\circ}\text{C}+80^{\circ}\text{C}$
- 6.(Electrical Life): 10,000 Cycles

Outline Drawing



Mounting



Circuitry

