

SW-TM102A1

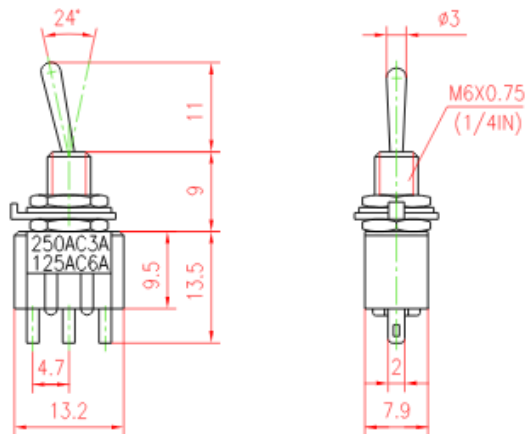
Miniature Toggle Switch

<TYPE>: MTS-102-A1

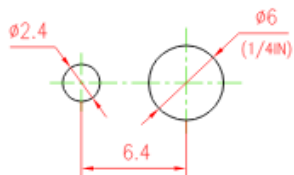
Specification

- 1.(Rating): 6A 125V AC; 3A 250V AC
- 2.(Contact R): 20 OHM \Rightarrow max
- 3.(Insulation R): 500V DC 1000 OHM \Rightarrow min
- 4.(Dielectric Strength): 1 Minute 1500V AC
- 5.(Operating Temperature): -55°C+85°C
- 6.(Electrical Life): 20.000 Cycles

Outline Drawing



Mounting



Circuitry

