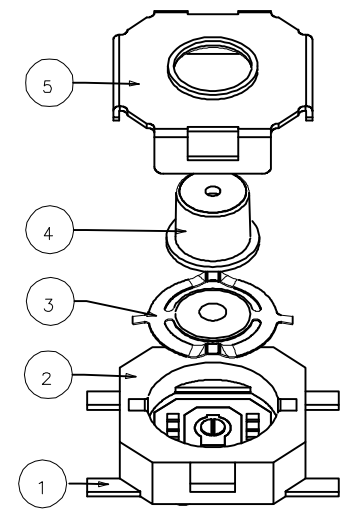
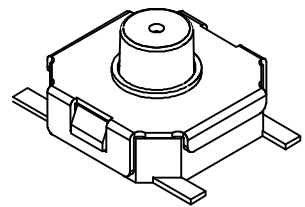
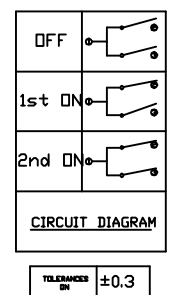
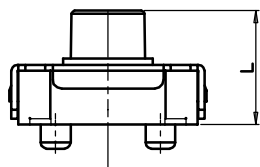
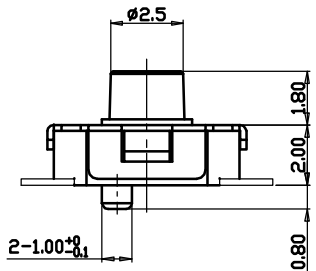


REFERENCE P.C.BORAD



ASS'Y METHOD



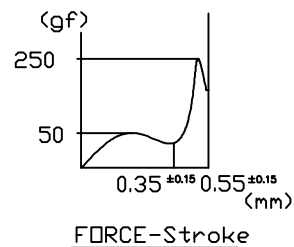
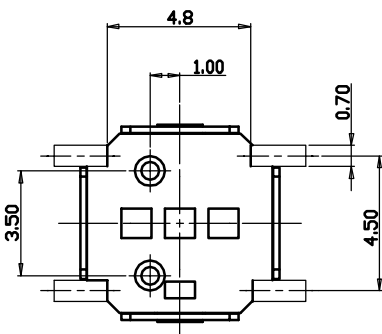
ISOMETRIC VIEW

NOTE

- OPERATING FORCE : 1st- 50gf±30gf
2nd- 230gf±50gf
- GENERAL TOLERANCE : ±0.3
- TRAVEL : 1st-0.35±0.15mm
2nd-0.55±0.15mm
- CONTACT RESISTANCE : 100mΩ MAX
- L = 3.8mm

NOTE

1. Omission Dimensions To CAD Data File Reference.



No.	DESCRIPTIONS	MATERIAL	FINISH/COLOR	Q'TY	REMARK
5	COVER(A)	SUS301- H 0.20t	NT	1	
4	STEM	LCP	BK	1	
3	CONTACT	SUS301CSP-H	Ag<CLAD>	1	
2	CASE	LCP	BK	1	
1	TERMINAL	C2680R-H 0.20t	Ag	1	

UNIT	SCALE	SMD DOUBLE ACTION
TRIGON-OMETRY	SCALE	
APPD	CHKD	
	DSGD	
		MODEL
		INT-1106FE

NO	07.09.06	CORRECTION
----	----------	------------