

Revisions

Revisions B, B-1, B-2, ... On behalf of official Drawing
 Revisions 1, 2, 3, 4, ... On behalf of experiment's Drawing

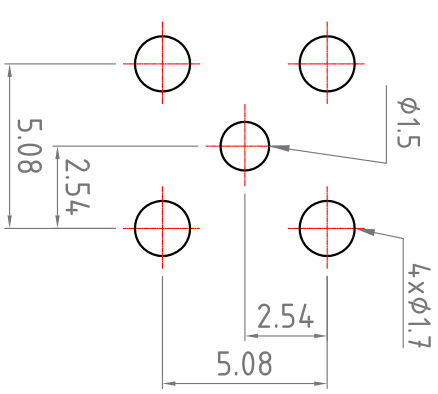
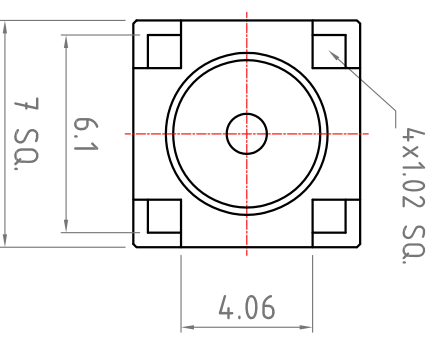
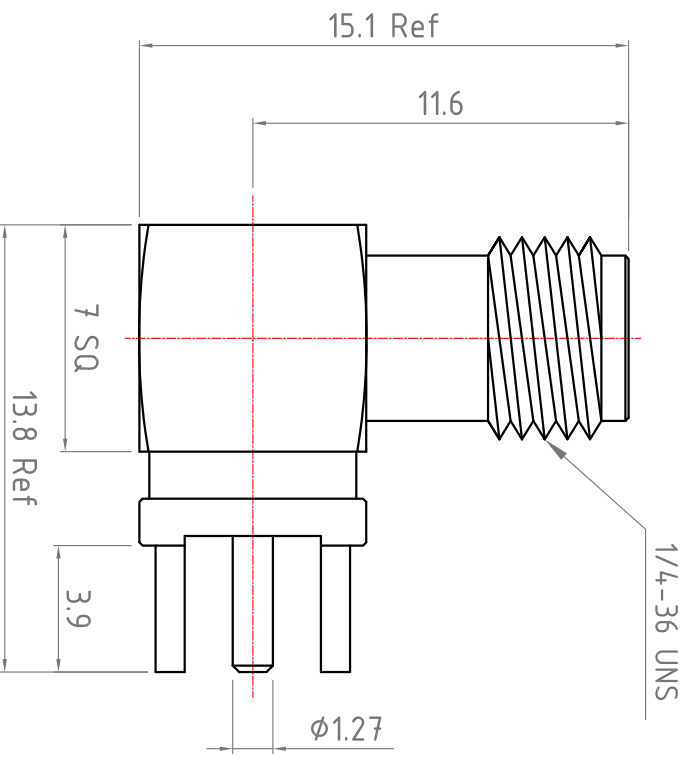
ISS	Symbol	Description	Date
B		CHE for New Drawing Frame & New PN System	2006/07/11

Note :

- All Metal Materials are in Compliance with RoHS 2 Directive 2011/65/EU Annex III Section 6 Paragraph.

Outline Drawing

*Change new drawing frame in Blue Color since 2009/07/01 , to comply with Company CIS Policy;



Recommended PCB Layout

ITEM	Description	Material	Finish	Part Number	QTY
3	Pin	P. Bronze	3u"Gold		
2	Insulator	PTFE	None		
1	Body	Brass	Gold		

Scale	Abbr.	Date	Rev.
NTS	ST	2013/02/21	B

Drawn	Checked	Approved
<i>Mark</i> 2019/02/21	<i>Ryan</i> 2019/02/21	<i>Y. Sun</i> 2019/02/21

Proprietary Note
 This document contains information proprietary to S-Conn, which is either copyrighted or patent applied for, and / or protected by trade secret laws.
 This document or parts thereof, may not be used, disclosed or reproduced in any form by any means, or for any purpose, without the written permission of S-Conn, Taiwan.

Customer P/N: _____

DWG. NO. S209AA1G22

TITLE SMA R/A Jack, PCB Type

S-Conn Enterprise Co., Ltd.
 ISO 9001 Certified