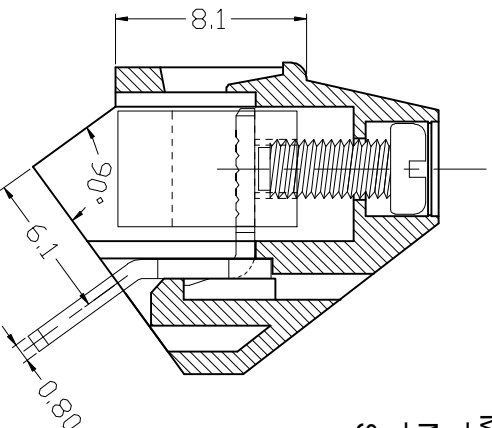
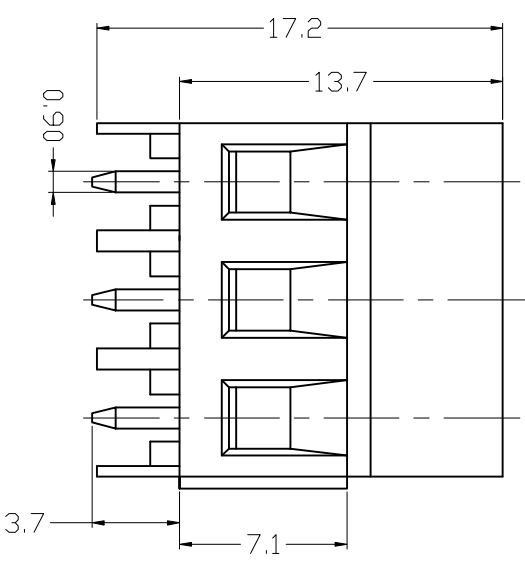
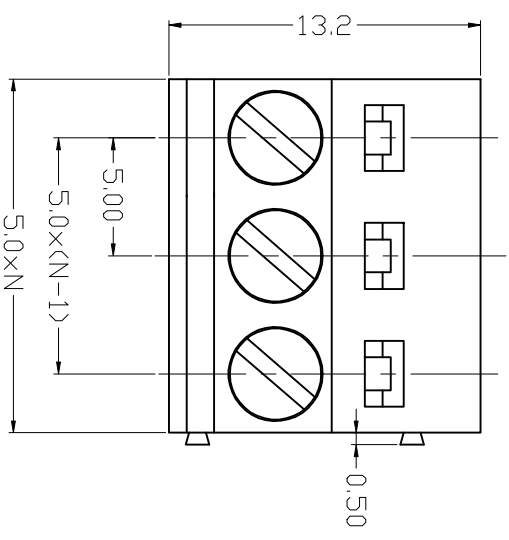


REV.	DESCRIPTION	DRAWN	CHECKED	APPROVED



**Material**  
 Screws: M2,5 Steel Zinc Plated  
 Contact: Brass, Ni plated  
 Pin Header: Brass, Tin Plated  
 Housing: PA66, UL94V-0

**Electrical**  
 Rated Voltage: 300V  
 Rated Current: 10A  
 Contact Resistance: 20mOhm  
 Insulation Resistance: 5000MOhm/1000V  
 Withstanding Voltage: AC 2000V/1Min  
 Wire Range: 26 - 12AWG

**Mechanical**  
 Temp. Range: -40C - +105C  
 Max. Soldering: +250C for 5sec  
 Torque: 0,4Nm  
 Strip Length: 6 - 7mm

GENERAL TOLERANCE		ANGLE TOLERANCE		PROJECTION		TITLE	
X	±0.25	X	±5°	mm	EURO TERMINAL BLOCKS	PITCH 5.00MM	
.X	±0.15	.X	±3°	A4	SERIES	KF103 SERIES	
.XX	±0.10	.XX	±2°				
DRAWING TYPE		SCALE		SHEET		1 OF 1	
1:1		1:1		1		1	
DRAWING NO.		SCALE		SHEET		1 OF 1	

**KF** 慈溪市凯峰电子有限公司  
 KAIFENG ELECTRONIC CO.,LTD